

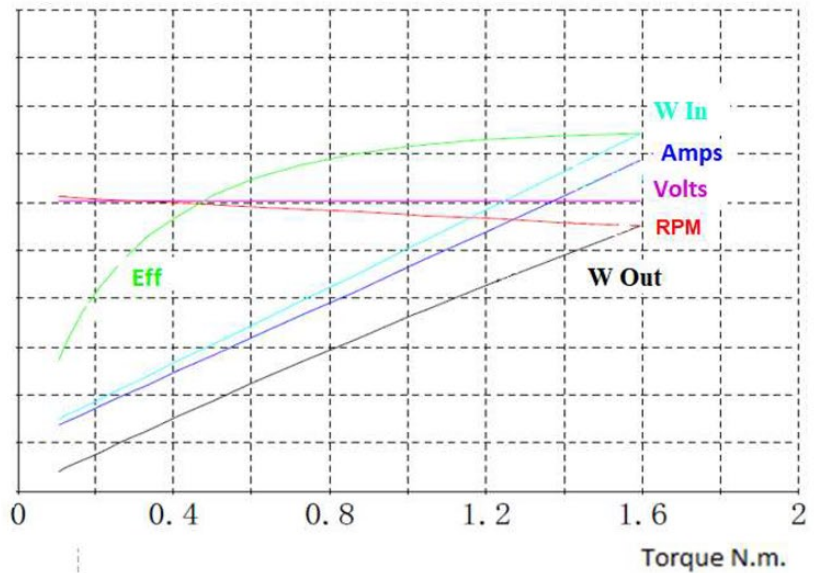
Model: MM2518FC/NV

Description: MaxMotion 0.25HP, 1750RPM, 180VDC, TEFC/NV, 56C

Tester: 01

Test Date: 2018.11.09

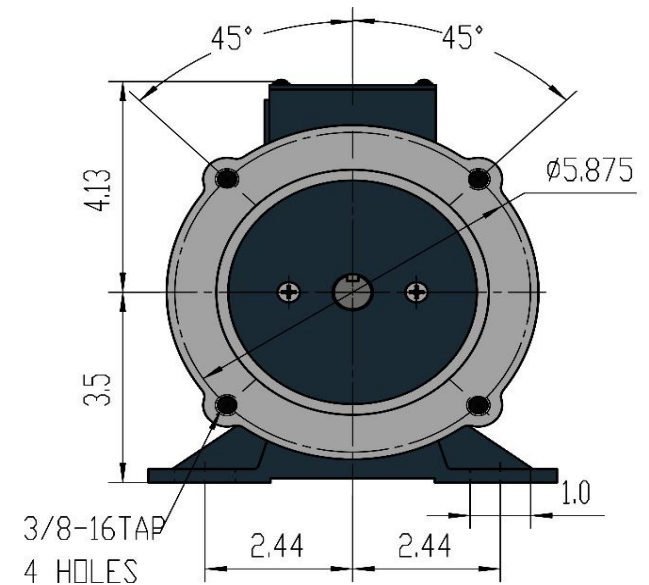
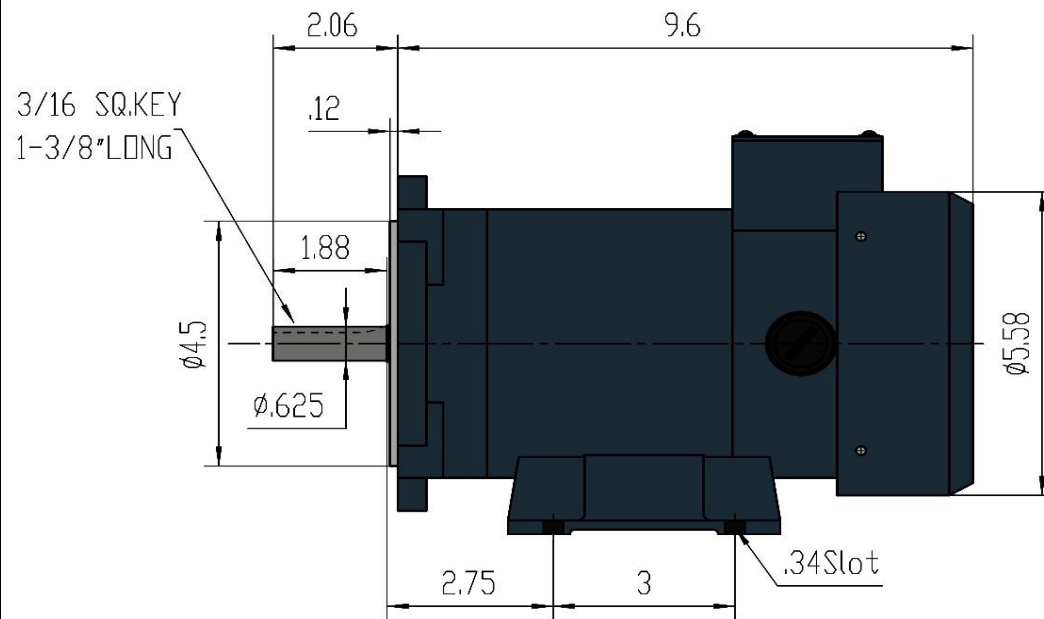
V	A	W In	RPM	W out	Eff.%
300	3	500	3000	350	100
270	2.7	450	2700	315	90
240	2.4	400	2400	280	80
210	2.1	350	2100	245	70
180	1.8	300	1800	210	60
150	1.5	250	1500	175	50
120	1.2	200	1200	140	40
90	0.9	150	900	105	30
60	0.6	100	600	70	20
30	0.3	50	300	35	10
0	0	0	0	0	0



Measured Points	V	A	Input Watts	N.m.	RPM	Output Watts	%
No Load	180.4	0.413	74.68	0.106	1836	20.53	27.4%
Rated	180.3	1.444	260.5	1.042	1717	187.5	71.9%
Efficiency Max.	180.3	2.058	371.2	1.596	1649	275.6	74.2%
Max. Kw Output	180.3	2.058	371.2	1.596	1649	275.6	74.2%
Max. Torq. Output	180.3	2.058	371.2	1.596	1649	275.6	74.2%
End	180.3	2.058	371.2	1.596	1649	275.6	74.2%

Load	Measure	V	A	Input Watts	N.m.	RPM	Output Watts	Eff %
10.9%	1	180.4	0.413	74.68	0.106	1836	20.53	27.4%
13.0%	2	180.4	0.435	78.63	0.126	1833	24.33	30.9%
17.0%	3	180.4	0.477	86.15	0.166	1829	31.94	37.0%
21.5%	4	180.4	0.527	95.17	0.211	1822	40.28	42.3%
27.2%	5	180.4	0.529	106.8	0.268	1815	51.08	47.8%
33.8%	6	180.4	0.663	119.7	0.334	1808	63.37	52.9%
41.4%	7	180.4	0.752	135.6	0.412	1798	77.70	57.2%
50.4%	8	180.4	0.849	153.3	0.504	1787	94.44	61.5%
60.4%	9	180.4	0.965	174.1	0.61	1773	113.3	65.0%
71.5%	10	180.3	1.097	197.9	0.728	1758	134.1	67.7%
84.2%	11	180.3	1.246	224.8	0.866	1740	157.9	70.2%
97.3%	12	180.3	1.409	254.3	1.012	1722	182.5	71.7%
100.0%	13	180.3	1.444	260.5	1.042	1717	187.5	71.9%
100.0%	14	180.3	1.444	260.5	1.042	1717	187.5	71.9%
114.1%	15	180.3	1.620	292.3	1.203	1698	213.9	73.1%
129.8%	16	180.3	1.826	329.4	1.388	1675	243.4	73.9%
147.0%	17	180.3	2.058	371.2	1.596	1649	275.6	74.2%

MaxMotion



Customer is responsible in determining that MaxMotion product will fit/perform suitably in the intended application

Version: 1NIN

Revised: April 2020

HP	RPM	Voltage	Amps	Const.	Frame	Insul.	Torque	P. Code	Wgt lbs	Rated
0,25	1750	180Vdc	2,05	TEFC	56C	Class H	9 in/lbs	K (SCR)	21	IP45

MM2518FC

DC PERMANENT MAGNET MOTOR

HEAVY GAUGE ROLLED STEEL CONSTRUCTION | TENV TOTALLY NON-VENTILATED & TEFC TOTALLY ENCLOSED FAN COOLED SCR RATED, 90VDC, 180VDC

MaxMotion

Applications:

For use with SCR rated single phase DC variable speed controls used in conveyors, pumps, packaging equipment and many other applications where economical precise speed control is required.



Features:

Design - SCR Rated

Construction - Rolled Steel, NEMA C-Face Footed with Removable Base

Agency listings and standard - NEMA, UL Recognized and CSA Certified, RoHS Compliant

Service Factor - 1.0

IP Rating - IP45

Insulation - Class F Insulation

Speed Range - 20:1 Constant Torque, Linear Speed/Torque Characteristics over entire speed range

Voltage - 90V & 180V

Bearings - Permanently Lubricated High quality Double Shielded Ball Bearings

Brushes - Oversized for Extra Long Life, Easy brush access with Unique brush Holder

Enclosure Protection - (TEFC) Totally Enclosed Fan Cooled & (TENV) Totally Enclosed Non-Ventilated

Duty - Continuous

Warranty - 18 Months

DC PERMANENT MAGNET MOTOR

HEAVY GAUGE ROLLED STEEL CONSTRUCTION | TENV TOTALLY NON-VENTILATED & TEFC TOTALLY ENCLOSED FAN COOLED SCR RATED, 90VDC, 180VDC



HP	FL RPM	VOLTS	FRAME	CAT NO.	CONSTRUCTION	ENCLOSURE	NOM EFF.	F.L. AMPS	DE BEARING	NDE BEARING	WT (Lbs)	"C" Dimension (Inch)
0.25	1773	90	56C	MM2590NV	ROLLED STEEL	TENV	76.70%	2.05	6203	6203	21	8
	1773	90	56C	MM2590FC	ROLLED STEEL	TEFC	76.70%	2.05	6203	6203	21	9.6
	1717	180	56C	MM2518NV	ROLLED STEEL	TENV	71.90%	2.55	6203	6203	21	8
	1717	180	56C	MM2518FC	ROLLED STEEL	TEFC	71.90%	2.55	6203	6203	21	9.6
0.33	1691	90	56C	MM3390NV	ROLLED STEEL	TENV	77.70%	5.1	6203	6203	23	8
	1691	90	56C	MM3390FC	ROLLED STEEL	TEFC	77.70%	5.1	6203	6203	23	9.6
	1687	180	56C	MM3318NV	ROLLED STEEL	TENV	69.90%	2.55	6203	6203	23	8
	1687	180	56C	MM3318FC	ROLLED STEEL	TEFC	69.90%	2.55	6203	6203	23	9.6
0.5	1702	90	56C	MM5090NV	ROLLED STEEL	TENV	81.90%	6.28	6203	6203	25	8.88
	1702	90	56C	MM5090FC	ROLLED STEEL	TEFC	81.90%	6.28	6203	6203	25	10.4
	1752	180	56C	MM5018NV	ROLLED STEEL	TENV	81.40%	3.14	6203	6203	25	8.88
	1752	180	56C	MM5018FC	ROLLED STEEL	TEFC	81.40%	3.14	6203	6203	25	10.4
0.75	1651	90	56C	MM7590FC	ROLLED STEEL	TEFC	83.90%	9.82	6203	6203	30	11.45
	1675	180	56C	MM7518FC	ROLLED STEEL	TEFC	84.00%	4.9	6203	6203	30	11.45
1	1739	90	56C	MM1090FC	ROLLED STEEL	TEFC	84.00%	12.7	6203	6203	33	12.24
	1739	180	56C	MM1018FC	ROLLED STEEL	TEFC	84.70%	6.4	6203	6203	33	12.24
1.5	1793	180	56C	MM1518FC-56C	ROLLED STEEL	TEFC	83.30%	7.86	6203	6203	45	14.39
	1793	180	145TC	MM1518FC	ROLLED STEEL	TEFC	83.30%	7.86	6305	6305	45	13.8
2	1751	180	56C	MM2018FC-56C	ROLLED STEEL	TEFC	82.80%	10.4	6305	6305	55	14.75
	1751	180	145TC	MM2018FC	ROLLED STEEL	TEFC	82.80%	10.77	6305	6305	55	14.8
3	1814	180	145TC	MM3018FC	ROLLED STEEL	TEFC	82.50%	18.6	6305	6305	70	16.9

